



# **DITEC HIGH PERFORMANCE DOORS**

[www.ditecdoor.com](http://www.ditecdoor.com)





# A RELIABLE PARTNER FOR YOUR DOOR OPENINGS

Ditec was created in 1996 as a merger of 3 brands: Novotecnica, PA and Aprin. Together, they became a leader in entrance solutions. From its homebase in Milano, Ditec was able to grow into a well-known brand on the Italian market, offering high quality and aesthetic products appreciated by specialists all over the world.

In 2009, Ditec was acquired by Entrematic, a Swedish based supplier of pedestrian doors and automation, combining the best of 2 worlds: southern flair and northern pragmatism.

In 2015 Ditec moved away from the generalist approach to become a product specialist. The company was split into two divisions, each with its specific product range. The Ditec High Speed Door range was integrated in Entrematic HPD, a division focusing on high performance doors, with headquarters in Belgium.

Entrematic's combined know-how and technology results into continuous improvements of the Ditec product offering and overall quality. Within the vision and ambition of Entrematic HPD to be a global leader, Ditec is more than ever ready to be your loyal partner and trusted supplier.

Let's write the next chapter together and work for a bright and positive future!

Dítec

---

ENTRE//MATIC

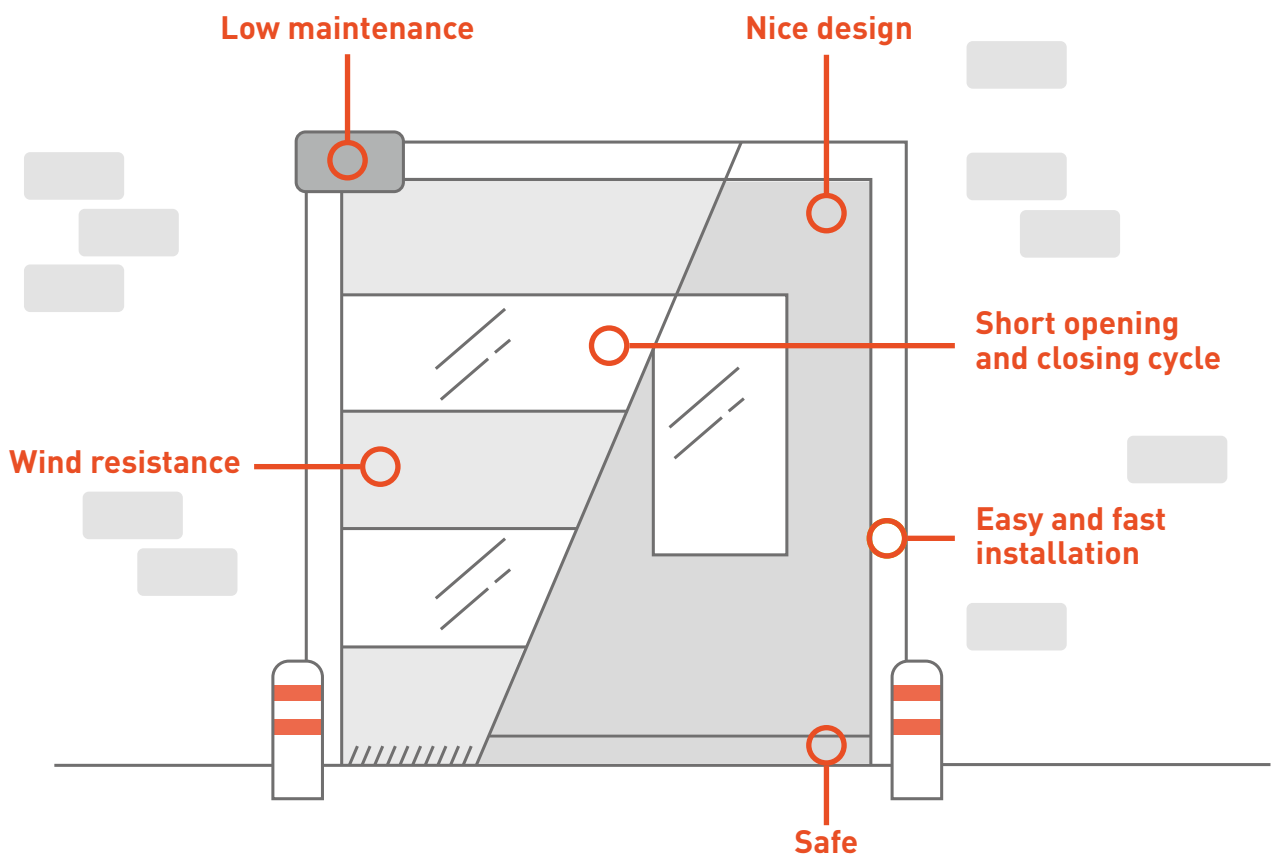
# A SMART DESIGN FOR YOUR DOOR OPENINGS

The Ditec High Performance Doors are known for their smart, Italian design. The short opening and closing cycle assures uninterrupted flows of people and goods. At the same time, special safety features avoid damage or injuries in case of a crash.

The wind resistant door curtain assures improved working conditions, protecting your premises against bad weather, dust and pests.

Furthermore, the Ditec High Performance Doors are specially conceived to assure easy and fast installation and to reduce maintenance costs. This results in significant savings.

In short: a smart solution for your door openings.



# THE RIGHT SOLUTIONS FOR YOUR DOOR OPENINGS

	RESET		PLUS	TRAFFIC	
	SOFT RESET	SECTOR RESET	SECTOR PLUS	TRAFFIC C	TRAFFIC CM
					
MAXIMUM DIMENSIONS (WxH)	4500 x 4600	6000 x 5000	6000 x 6000	6000 x 5400	11000 x 7000 or 9000 x 8500
INVERTER	✓	Optional	Optional	Optional	
WIND RESISTANCE*	Class 2	Class 3 **	Class 1	Class 2	Up to Class 2
MAXIMUM OPENING SPEED	2,3 m/s	3 m/s	1,5 m/s	1,3 m/s	0,7 m/s
CURTAIN PROTECTION FEATURES	Self-reinserting curtain	Self-reinserting curtain	Anti-crash bottom edge		
DRAUGHTPROOF PROPERTIES	Excellent	Excellent	Very good	Good	Good
TRAFFIC VOLUME	High	Intense	Intense	Medium	Medium
APPLICATION	Internal	Internal / External	Internal	External / Heavy duty	External / Heavy duty
HORIZONTAL REINFORCEMENT BARS			✓	✓	✓
EMERGENCY RELEASE	Crank	Semi-automatic	Semi-automatic	Semi-automatic	Semi-automatic
FULL CURTAIN PRINT	✓	✓			

\* For reference door 3000 x 3000    \*\* Class 3 with option SOW

# DITEC SOFT RESET

The internal door  
for maximum flexibility

The Ditec Soft Reset is a compact self-reinserting roll-up door with a fully flexible curtain and soft bottom edge. The door offers improved looks, excellent sealing and easy operation.



## Improved working conditions

### OPTIMIZED PROCESS FLOW

The Soft Reset is designed for fast installation and easy operation. The quick opening and closing cycles and the self-reinserting function of the curtain reduce the risk of downtime after a crash and make this door the perfect solution for a smooth and trouble-free process flow!

### ENERGY SAVINGS

Opening speeds up to 2,3m/s and fast closing make sure the door does not stay open longer than necessary; this results in important energy savings.

### SEALING

The zippers are running in tight side guides, providing excellent sealing. They minimize the passage of air and infiltration of dirt. Optional gaskets are available in order to enhance the insulation capacity of the door.

### LOW NOISE

A silent operation is assured by the specially designed side guides, the continuous zippers and special washers that absorb vibration.



User friendly operation

## Safety assured

### PROTECTION OF PEOPLE & GOODS

Possible obstacles will immediately be detected as the Soft Reset comes with a well-tested and field proven combination of 2 safety devices. In the unlikely event of a crash, the fully flexible curtain and soft bottom are designed not to cause any harm.

### USER-FRIENDLY OPERATION

The control unit with its 32 digit LCD display will be your valuable assistant to keep you informed about the operation of the door. It is easy to adjust settings and plan maintenance. The manual release system allows you to open the door quickly in case of an emergency.



Soft bottom edge

## Smart & nice design

### CREATIVE DESIGN AND ENHANCED LOOKS

The frame of the Soft Reset has a streamlined and robust construction. The upper cover with its sloping top is good looking and easy to clean. The rounded PVC side covers are a handsome addition to finish off the overall design.

### LOW MAINTENANCE

The soft start and stop make the opening and closing movements well controlled. They reduce stress on the motor and decrease energy consumption. The Soft Reset has few moving parts and requires little maintenance. In case of a crash, the door will not require repair works as the curtain will automatically reintroduce itself when going up.

### SPACE SAVING

The footprint of the Soft Reset is very small thanks to the 2 narrow columns. The compact structure of the frame and the small headspace for the rolled-up curtain assure a maximum passage height and width.



Perfect alignment



# DITEC SECTOR RESET

The most energy  
efficient door

The Ditec Sector Reset  
is a self-reinserting roll-up door  
with a soft bottom edge,  
offering excellent sealing.  
This door is suitable  
for heavy duty applications.





## Improved working conditions

### OPTIMIZED PROCESS FLOW

The fully flexible curtain without rigid elements allows the door to open and close fast. With the INVERTERmotion, the opening speed can be differentiated and increased up to 3 m/s. The self-reinserting function of the curtain reduces the risk of downtime in case of an accidental hit.

### ENERGY SAVINGS

The high operating speed avoids the doors remaining open longer than needed. Thus, the working environment remains stable and energy can be saved.

### SEALING AND WIND RESISTANCE

The curtain is retained in the side guides by zippers that provide excellent sealing. This minimizes the transfer of air and the infiltration of dust. On doors with the Ditec INVERTERmotion, the step-by-step closing feature makes sure doors can close also under windy conditions. Optional reinforcement elements make the door withstand wind forces up to class 3.

### LOW NOISE

Thanks to the specially designed side guides and the continuous zippers, the door operates very quietly.



Safety Linear Encoder



Counterweight



Self-reinserting

## Safety assured

### PROTECTION OF PEOPLE & GOODS

The unique, self-testing Safety Linear Encoder and the photocells detect possible obstacles and reopen the door when needed. The curtain itself is intrinsically safe, as it has a soft bottom and contains no rigid bars.

### EMERGENCY OPENING

In case of an emergency, the door can be easily opened by using the red handle, that will release the counterweights and make the curtain go up.

## Smart & nice design

### ITALIAN LOOKS

Ditec Reset doors are known for their streamlined design. Large windows are available for maximum visibility. The curtain can also be printed with your own design.

### LOW MAINTENANCE

The Sector Reset with few moving parts and specially designed side guides requires little maintenance. Thanks to the self-reintroduction of the curtain and the absence of rigid bars, repair costs are limited in case of an accidental crash. Counterweights reduce the efforts required by the motor, resulting in a longer lifetime and less maintenance.

### SPACE SAVING

The compact construction of the Sector Reset and the absence of a side-motor allow for installation in a corridor or any other limited space. The self-supporting frame gives extra flexibility when you are not sure to what kind of wall material the door will be fixed.

# DITEC SECTOR PLUS

The maximum visibility  
door for increased safety

The Ditec Sector Plus  
is a compact door  
suitable for narrow spaces  
with optional full transparency.  
The self-testing bottom edge  
and semi-automatic opening  
feature assure safety.



## Improved working conditions

### OPTIMIZED PROCESS FLOW

The counterweight allows the door to open and close fast. With the INVERTERmotion, speed can be differentiated and increased up to 1.5 m/s.

### ENERGY SAVINGS

The high operating speed avoids the doors remaining open longer than needed. Thus, the working environment remains stable and energy can be saved.

### WIND RESISTANCE

Aluminum or steel bars reinforce the curtain against wind loads.



Anti-Crash system

## Safety assured

### PROTECTION OF PEOPLE & GOODS

The self-testing, sensible bottom edge and the photocells detect possible obstacles and reopen the door when needed.

### EMERGENCY OPENING

In case of emergency, a red handle can be turned to release the counterweight and open the door.



Emergency opening

## Smart & nice design

### ITALIAN LOOKS

Sector Plus doors offer the possibility of a modular curtain, which allows for full transparency. Reinforcement bars ensure that the curtain is nicely stretched. The compact columns provide an elegant appearance.

### LOW MAINTENANCE

Counterweights reduce the efforts required by the motor, resulting in a longer lifetime and less maintenance costs. The Ditec original ACS break-away system avoids further damage to the aluminum bottom bar and steel columns in case of crash. It features so-called safety shoes that can easily be replaced by a non-specialised engineer. With a modular curtain, damaged sections can easily be substituted, without changing the entire curtain.

### SPACE SAVING

The Ditec Sector Plus is a compact door, with built-in counterweights and motor. The self-supporting frame and the absence of a side-motor allows for installation in a corridor or any other limited space.



Modular sections

# DITEC TRAFFIC C/CM

The external door  
for intense traffic

The Ditec Traffic C is a robust  
fold-up door, ideal for external  
applications.

The Traffic CM is suitable for  
larger dimensions.





## Improved working conditions

### OPTIMIZED PROCESS FLOW

The 400V motor, combined with counterweights, allows the door to open and close fast. With the INVERTERmotion, speed can be differentiated and increased up to 1.3 m/s.

### ENERGY SAVINGS

The high operating speed avoids the doors remaining open longer than needed. Thus, the working environment remains stable and energy can be saved.

### WIND RESISTANCE

Thanks to the reinforcement bars in the curtain, the Ditec Traffic C/CM withstands wind loads up to class 2. The fold-up principle makes sure doors can close even under heavy wind load.



Horizontal reinforcement bars

## Safety assured

### PROTECTION OF PEOPLE & GOODS

The self-testing, sensible bottom edge and the photocells or a light curtain detect possible obstacles and reopen the door when needed.

### EMERGENCY OPENING

In case of emergency, a red handle can be turned to release the counterweight and open the door.



Emergency opening

## Smart & nice design

### ITALIAN LOOKS

A Ditec Traffic C/CM door has a nicely finished doorframe. On the Traffic C, fully transparent sections are available for maximum visibility.

### LOW MAINTENANCE

The Ditec Traffic C/CM, with its most accessible operating system, requires little maintenance.

### SPACE SAVING

The Ditec Traffic C/CM requires limited installation space. Its self-supporting frame and the absence of a side-motor allows for installation in a corridor or any other limited space.



Modular sections

# THE RIGHT DOOR FOR EVERY APPLICATION









© Entrematic Group AB – 2019

Entrematic offers a comprehensive range of products for industrial, commercial, institutional and residential applications, including sectional doors, loading dock equipment, high-performance doors, residential garage doors, pedestrian doors, gates and barriers, and automation and operators. Built on nearly 200 years of accumulated expertise, Entrematic aims to be the most dynamic, innovative company in the entrance automation industry, and the best partner for dealers and installers. Our well-known brands include Normstahl, Dynaco, Ditec, EM and Nergeco.

Entrematic, Amarr, Kelly, Serco, Normstahl, Dynaco, Ditec, EM and Nergeco, as words and logotypes, are examples of trademarks owned by Entrematic Group AB or companies within the Entrematic Group.

The Ditec products are protected by worldwide registered patents. As part of its policy of continuous product development, Entrematic Belgium nv reserves the right to change the characteristics of its products or components without prior notice.

Disclaimers:

For a correct use of our products, please refer to our manual. Everything that is mentioned in this brochure is only valid under the terms of use in the user manual and on condition that the door was properly installed and maintained and has not undergone abuse nor neglect.

ENTREMATIC BELGIUM NV  
Waverstraat 21  
B-9310 Moorsel-Aalst (Belgium)  
Tel. +32 53 72 98 98  
Fax. +32 53 72 98 50  
info.ditec.eu@entrematic.com  
www.ditecdoor.com