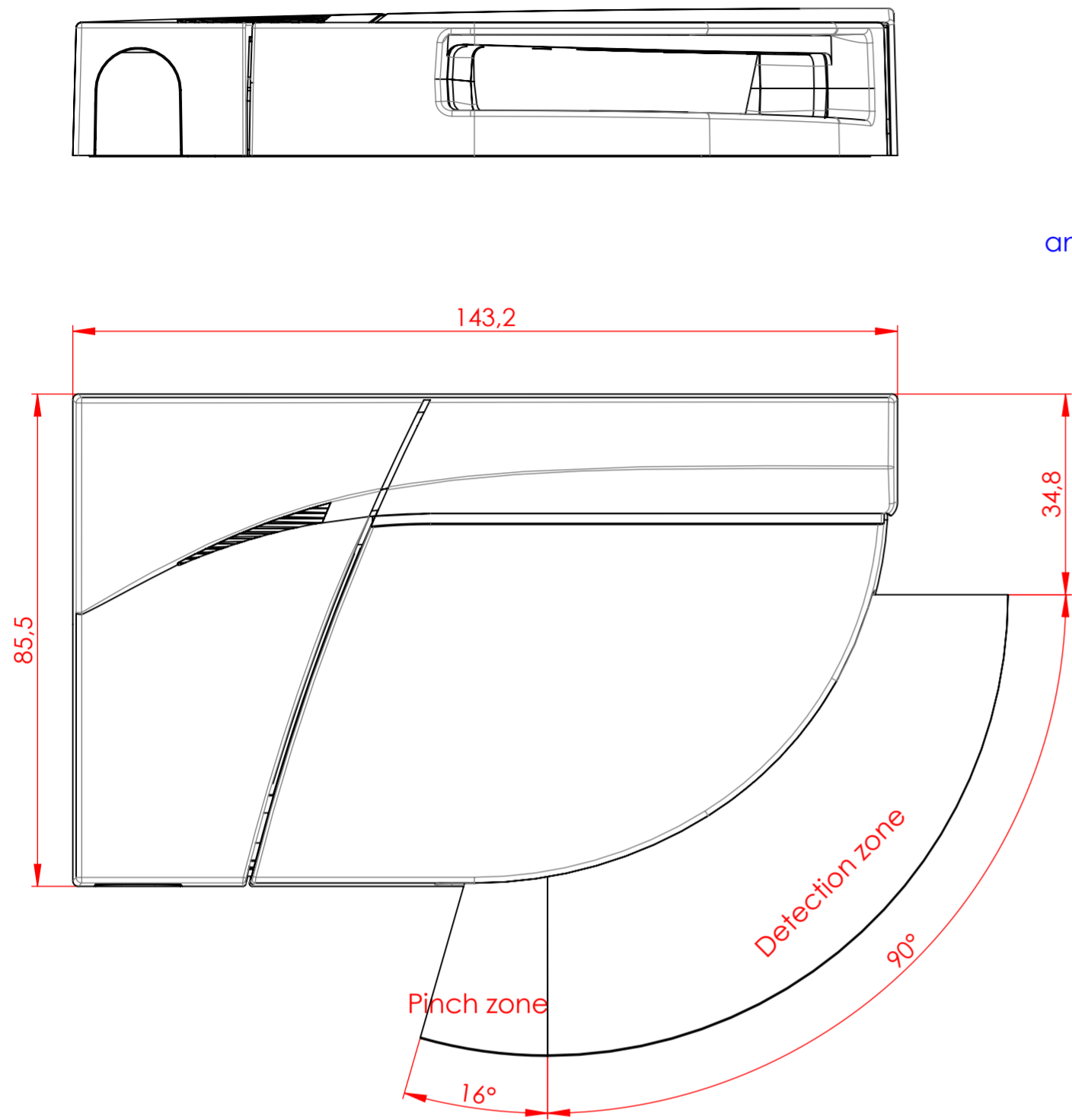
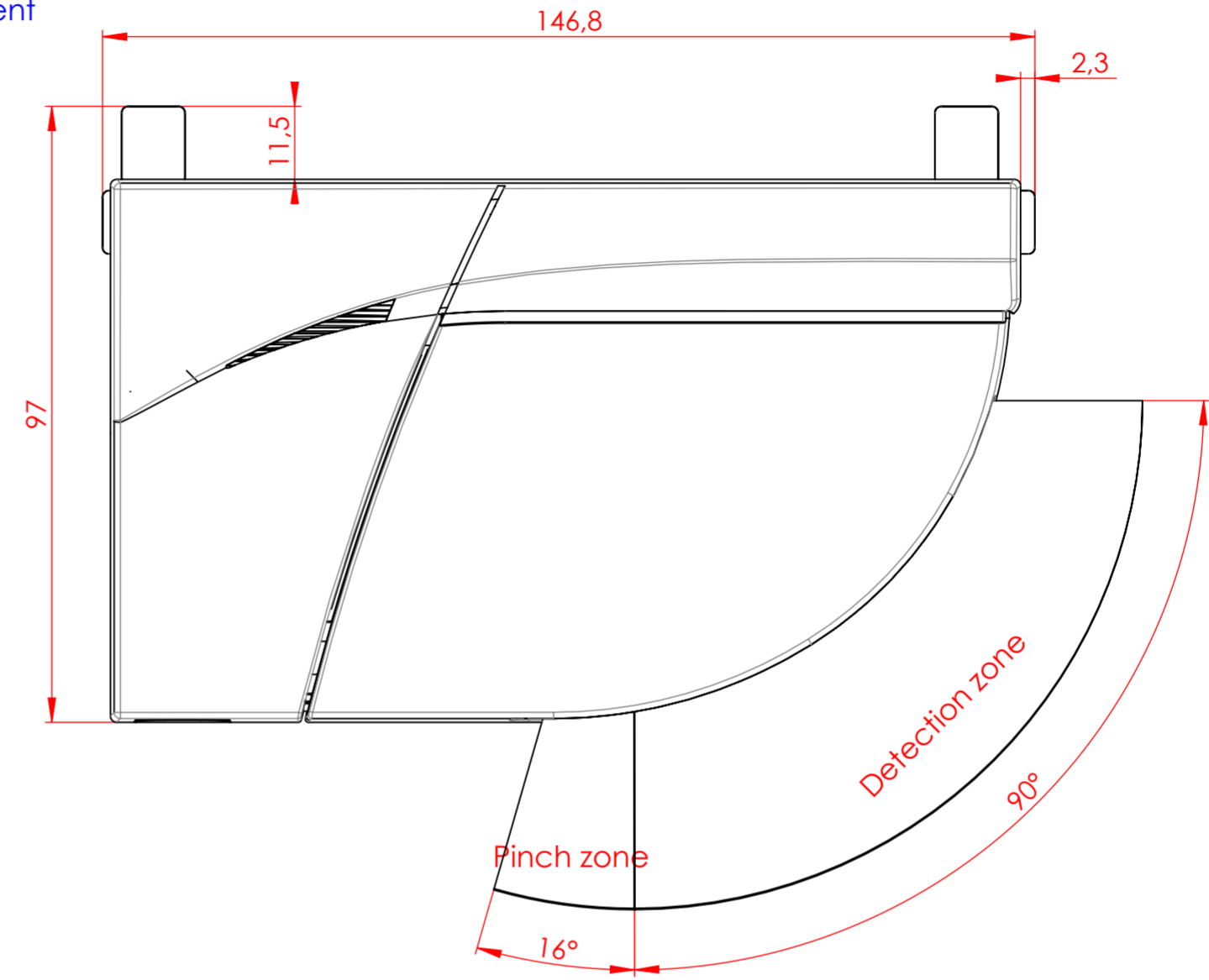
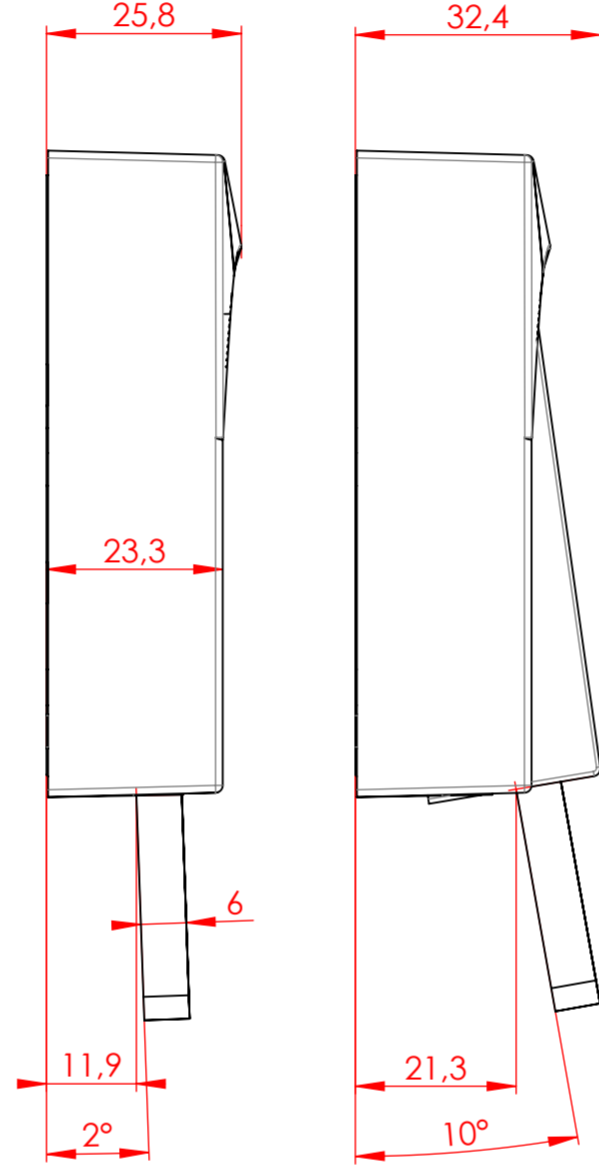


FLATSCAN WITHOUT MOUNTING ACCESSORY

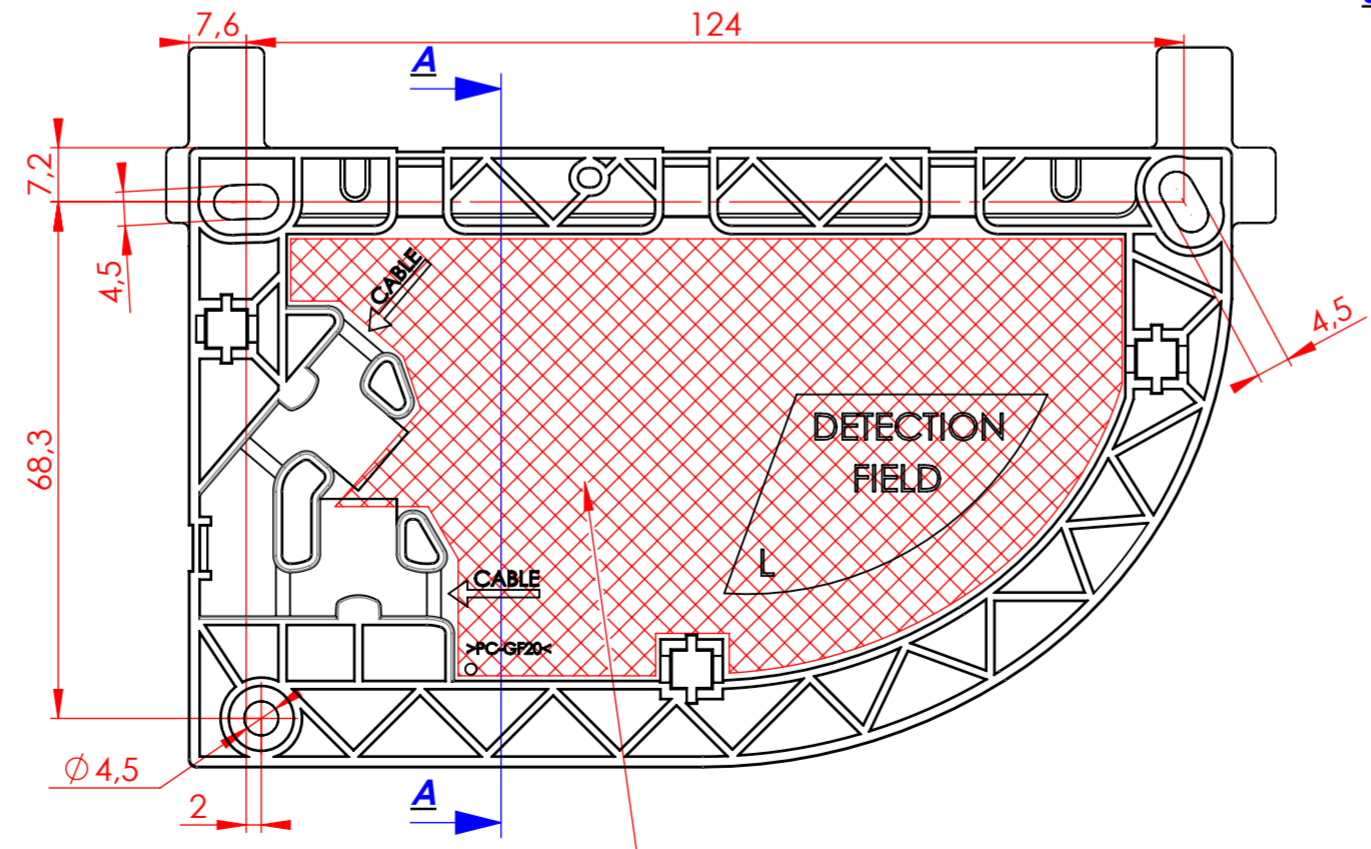
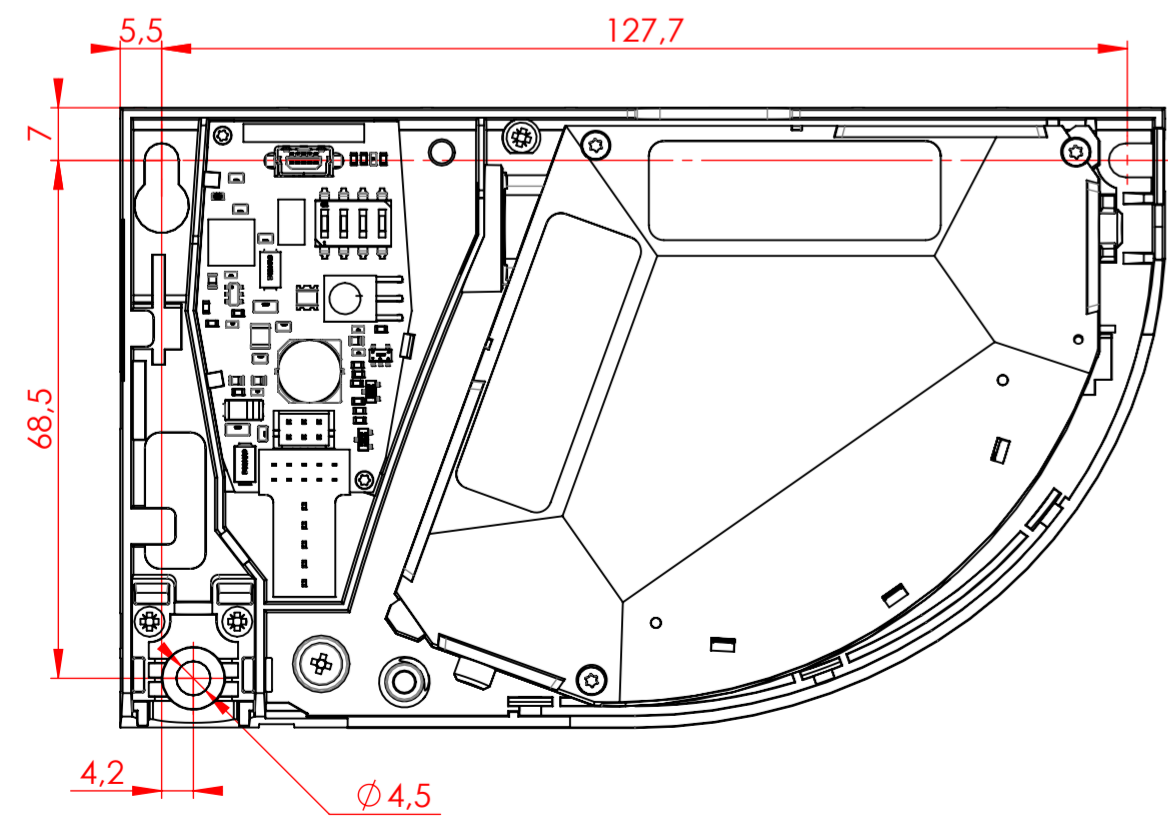
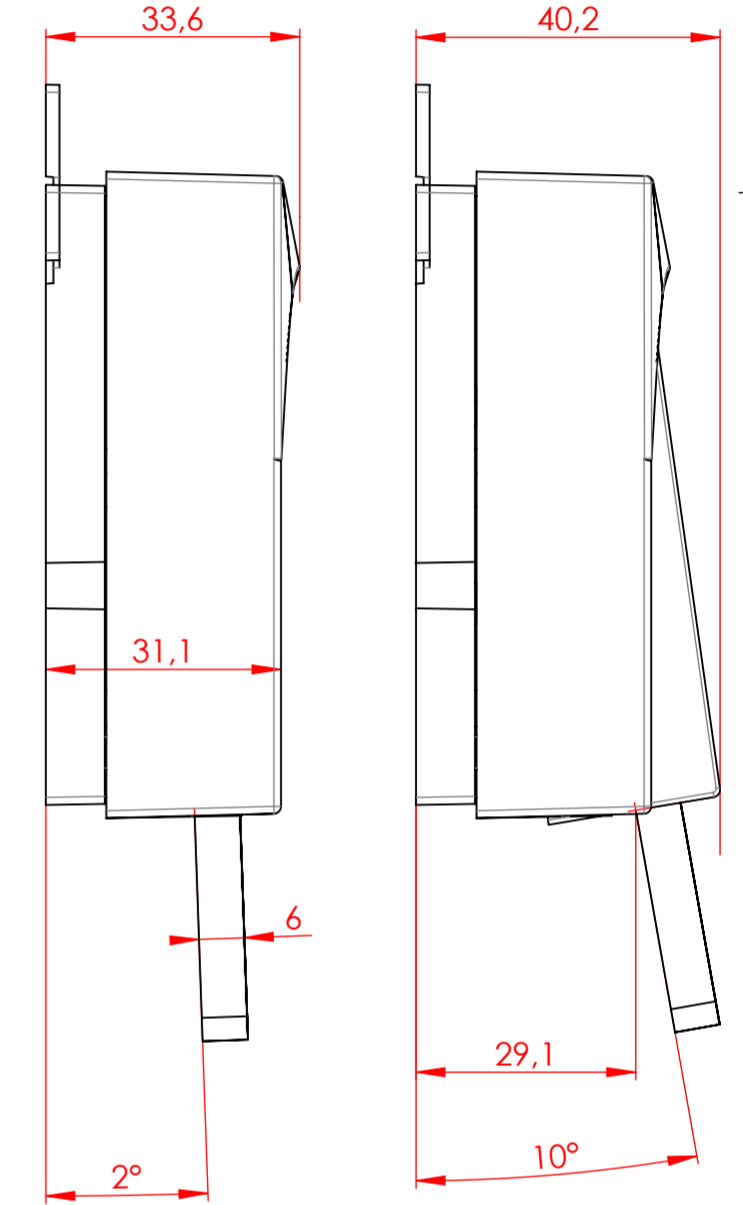
FLATSCAN WITH MOUNTING ACCESSORY



Minimum angular adjustment Maximum angular adjustment



Minimum angular adjustment Maximum angular adjustment



SECTION A-A

Area for free installation of the sensor if the three holes provided are unusable

Part Volume : mm³ - Part Weight : gr

THIS DRAWING IS THE PROPERTY OF BEA AND MAY NOT BE REPRODUCED WITHOUT WRITTEN AGREEMENT

Date:	By:	Description:	Ver.:	Rev.:
18/02/16	MRO	Update with new mounting accessory, pinch and detection zone	02	01
16/06/16	MRO	Modified: Pinch zone 20° > 16° / Positioning studs 6.5 > 11.5	03	01
-	-	-	-	-
-	-	-	-	-

MODIFICATIONS LIST

PROD. NAME : E294 FLATSCAN
 TITLE : EXTERNAL AND MOUNTING DIMENSIONS
 GENERAL TOLERANCE : -

MATERIAL : - TREATMENT : -

Objet	Ver.Obj	Doc.	Rev.Doc.	Scale	Size
46.0783 . 03 . PM . 01				1:1	A2

DRAWER : MRO
 DATE : 06/03/15
 VERIFIED APPROVED

BEA
 A HALMA COMPANY
 WWW.BEA.BE

PAGE: 1 / 1

PDM Project : E294 - FlatScan - File Name : 46.0783 FlatScan external and mounting dimensions